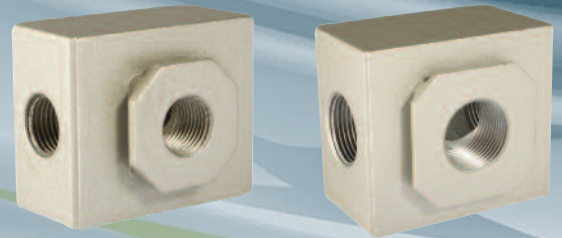


AIR PREPARATION ACCESSORIES PORTING BLOCKS



Specification

Model	KA200-06	KA200-08	KA300-08	KA300-10	KA400-10	KA400-15	KA600-20	KA600-25
Fluid	Air							
Port	1/8"	1/4"	1/4"	3/8"	3/8"	1/2"	3/4"	1"
Pressure Range	0 - 0.9MPa (0 - 130psi)							
Proof Pressure	1.5MPa (215psi)							
Temperature	+20 to -70°C							

Suitable to use with Series 200, 300, 400, & 600 KELM™ Air Preparation units, additional fixing bracket will be required.

Ordering Code

KA 2 0 0 — 0 6

Model	Port Size
200 Series	06 : 1/8"
300 Series	08 : 1/4"
400 Series	10 : 3/8"
600 Series	15 : 1/2"

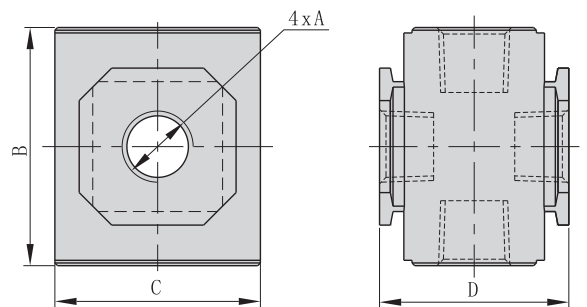
Product Features

The Porting Block allows an air supply to be ported off to a non-lubricated air supply, if fitted in between the Filter/Regulator and Lubricator.

The porting blocks will need an additional bracket to fix into the modular units.

Dimensions

Model / Item	KA200		KA300		KA400		KA600	
	06	08	08	10	10	15	20	25
A	1/8"	1/4"	1/4"	3/8"	3/8"	1/2"	3/4"	1"
B	36		44		52		76	
C	30		38		52		68	
D	28.5		35		42		60	



Inner Structure

